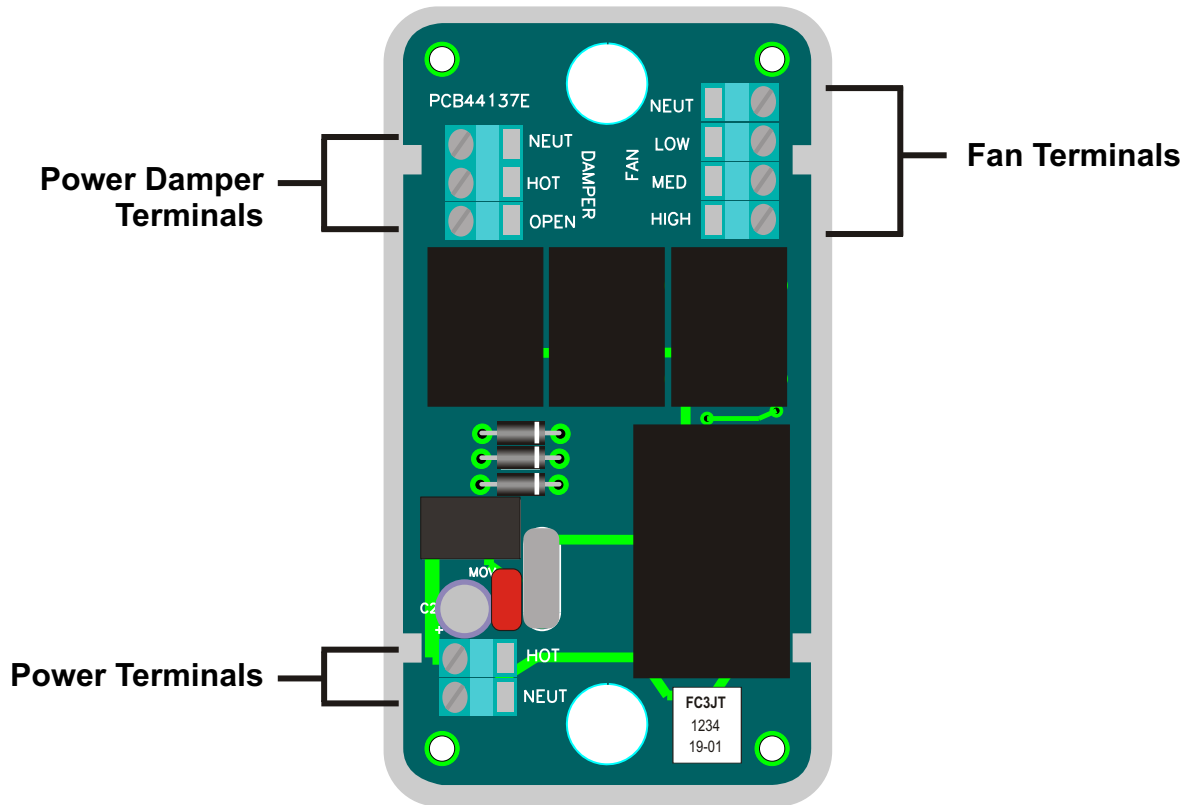


# FC3JTD Generic Wiring Diagram

**Warning! High Voltage Wiring. Remove Power to Fan Before Accessing the Handy Box or Wall Controls.**



## Power Damper Terminals

### Function

Neut	115VAC Neutral, White Wire*
Hot	115VAC Hot, Black Wire*
Open	Open, Red Wire*

Ground, Green Wire\* Connect to green screw in handy box.

## Power Terminals

### Function

Hot	115VAC Hot, Black Wire*
Neut	115VAC Neutral, White Wire*

Ground, Green Wire\* Connect to green screw in handy box.

## Fan Terminals

### Function

Neut	115VAC Neutral, White Wire*
Low	Low Speed, Color varies with fan model
Med	Medium Speed, Color varies with fan model
High	High Speed, Color varies with fan model

\* Typical wire color used. Check your fan and damper specs to verify the wire color and function for your specific fan model.