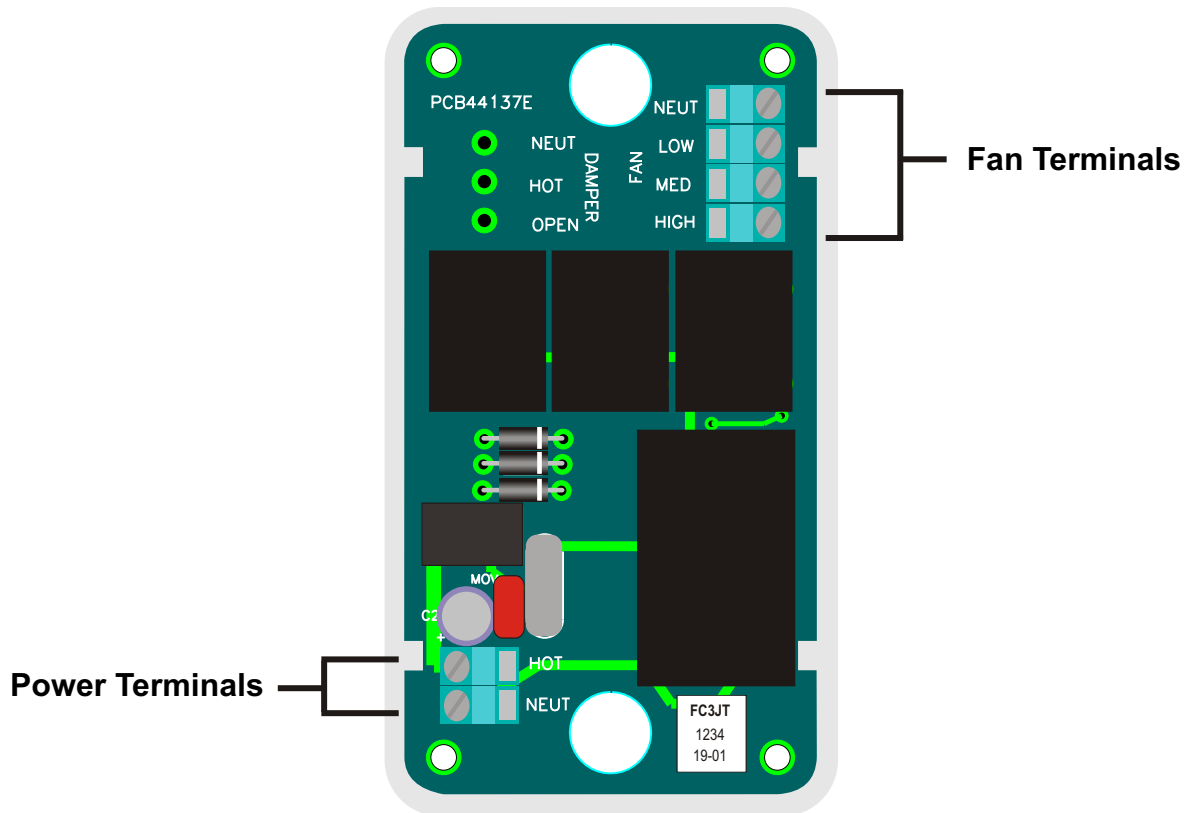


FC3JT Generic Wiring Diagram

Warning! High Voltage Wiring. Remove Power to Fan Before Accessing the Handy Box or Wall Controls.



Power Terminals	Function
Hot	115VAC Hot, Black Wire*
Neut	115VAC Neutral, White Wire*
	Ground, Green Wire* Connect to green screw in handy box.

Fan Terminals	Function
Neut	115VAC Neutral, White Wire*
Low	Low Speed, Color varies with fan model
Med	Medium Speed, Color varies with fan model
High	High Speed, Color varies with fan model

* Typical wire color used. Check your fan specs to verify the wire color and function for your specific fan model.